

# PRIDE



# HELMETS SAVE LIVES!

Always wear a properly fitted helmet that complies with CE safety standards when you ride your vehicle.



## **Correct Fitting:**

Make sure your helmet covers your forehead.



## **Incorrect Fitting:**

Forehead is exposed and vulnerable to serious injury.

## **WARNING**

As with all mechanical components, PRIDE is subjected to wear and high stresses. Different materials and components may react to wear or fatigue in different ways. If the design life of a component has been exceeded, it may suddenly fail possibly causing injuries to the rider. Any form of crack, scratch or change of coloring in highly stressed areas indicate that the life of the component has been reached and it should be replaced. Do not ride in an abusive manner.

## **CAUTION**

In this manual, the CAUTION sign indicates a hazardous situation which, if not avoided, can cause minor or moderate injury.

## **WARNING**

In this manual, the WARNING sign indicates a hazardous situation which, if not avoided, can cause death or serious injury.

## **INTRODUCTION**

This manual is designed to give you the information you need for the safe operation and maintenance of your PRIDE. Please read it thoroughly before riding your PRIDE.

## **WARNING**

Make sure you read this complete manual before riding your PRIDE. Failure to do so, or failure to follow its guidelines could lead to serious injury or death.

Your PRIDE is a personal transporter. Our technology and production processes are developed with strict testing for each PRIDE Electric Vehicle. Operating the PRIDE without following the contents of this manual may lead to damage to your PRIDE, or body injury.

### **PACKAGE CONTENTS**

- PRIDE Electric Vehicle
- Keys and Remote keyless system
- Charger and Charging Cable
- Quick user guide
- Rear View Mirrors

This vehicle is not a toy, it is not recommended for drivers under the age of 18.

Your PRIDE's vehicle identification number (VIN) is stamped on the main frame column as shown on page 14. Record this number for your reference.

## **BATTERY MAINTENANCE**

The lithium battery is built into a protective case. Do not disassemble the case to remove the battery or attempt to separate it from the case.

- When charging the battery, only use the enclosed PRIDE charging cable assigned to this battery.
- Do not connect or attach the battery to a power supply plug or directly to a car's cigarette lighter.
- Do not place the battery near a fire, or into direct sunlight. Heating the battery case can cause additional heating, breaking, or ignition of the battery inside the case.

- Do not continue charging the battery if it does not recharge within the specified charging time. Doing so, may cause the battery to become hot, rupture, or ignite.

To preserve natural resources, please recycle or dispose of batteries properly. This product contains a Lithium battery. Local state or federal laws may prohibit disposal of lithium batteries in ordinary trash. Consult your local waste authority for information regarding available recycling and/or disposal options.

### **WARNING**

Failure to follow the safety precautions listed below could lead to serious body injury even death.

- For battery dysfunctional, contact service center immediately.
- Charge battery on time. Recharging at 20% battery level (as indicated on the dashboard) can prolong battery life. Charge battery in dry and safe place.
- Disassembling the battery by yourself may cause an explosion or fire.
- Store and charge battery at 0°C - 35°C.
- Charge the battery every 2 months when the bike is not in use. Disconnect the battery, store it in dry and ventilated area.
- Dropping the battery may cause fire or explosion.

## **BEFORE RIDING**

### **WARNING**

Any PRIDE that does not work properly can cause you to lose control and fall. Inspect the entire vehicle thoroughly before every ride, and do not ride it until any problem has been corrected.

## **PRIDE OPERATION**

It is important that you fully understand all elements of your PRIDE. If these elements are not used correctly, you will not have full control of your PRIDE. Before you ride fast, or outside of a controlled environment, learn the functions of the various controls and instruments on your PRIDE.

## **PRE-RIDE PRIDE CHECKLIST**

Ensure that your PRIDE is in proper working order each and every time you ride. If a part of the PRIDE does not function correctly, please contact our Customer Support Center.

- Always wear a helmet that meets CE safety standards. In the case of an accident, a helmet can protect you from serious injury and in some cases, even from death.

### **WARNING**

Any scooter that does not work properly can cause you to lose control and fall. Do not ride your vehicle with a part that is damaged; replace the damaged part before riding.

- The owner should only use and operate the unit after full comprehension of all components and functions of the unit.
- Check with your doctor if your medical condition could affect your ability to use the PRIDE model.
- People with a medical condition, heart condition, head, back, or neck ailments or prior surgeries to those areas of the body are not recommended to use the PRIDE mode.
- People with any mental or physical conditions that may make them vulnerable to injury or impair their physical or mental capabilities to recognize, understand and perform all the safety instructions and to be able to assume the hazards inherent in unit use, should not use the PRIDE model.
- Ensure your tire pressure is at 36 psi (2.5 bar) before riding.
- Ensure the battery is fully charged before riding your PRIDE.

## CAUTION

Use only the original charging cable and charger to charge your battery. Using any other unauthorized charger may damage your battery.

- Make sure that there is no dust or debris inside the charging port.
- Locate the charge cable and plug the male end into a grounded wall outlet.
- Plug the female end in the vehicle's charging port.
- The charging indicator light on your charger should change to RED, indicating that your battery is now being charged.
- When the RED indicator light on your charger turns to GREEN, then your battery is fully charged.
- A full charge may take up to 7 hours.
- After fully charging your vehicle, unplug first the charging cable from the wall outlet and then, from the charging port.
- Close the lid of the charging port and secure it.

## SAFETY PRECAUTIONS

- If your PRIDE is not to be used for an extended period of time, you may need to recharge the battery every 2 months to maintain the battery life.
- Ensure that the screws on the front and rear tires are locked firmly before each ride.
- Check the tires are not worn.
- Check all connections maintained on your vehicle.
- Ensure the brake cables are well lubricated. It is suggested to lubricate them every 6 months.

- Ensure the throttle moves smoothly. You should be able to twist in both directions.
- Make sure there are no worn cables, loose connections, missing fasteners or axle/lug nuts.

## CHECKING BRAKES

A cable connects the brake lever to your brakes. The lever causes the brake pads to apply pressure to the brake discs.

Pull the lever to ensure the brake moves freely and stops your vehicle. If the lever can be pulled all the way to the handlebar, the brake is too loose.

When brakes are not applied, the brake pads should be at a distance 1-2mm from the discs. If the brake pads are too close to the discs, the brakes are too tight. The brake pads should be in line with the discs' surface.

Adjust your brake lever to improve brake performance. Brakes will be worn over time. If after adjusting the brake response, you feel that the brakes are not performing well, you may need to have the brake pads or the discs replaced.

The first rule in safe riding is to use common sense. The PRIDE is susceptible; it cannot protect you in a crash, against impact, or loss of control the way driving a car can. The PRIDE can tip over sideways or pitch you over the front wheel. It does not have bumpers or airbags as a car does.

This section is a guide for safe riding practices. Make sure you are using your PRIDE properly.

### CAUTION

Brake pads and brake discs get very hot during use and could burn your skin. The edges can also be sharp and could harm your skin too. Therefore, avoid touching the brake pads or discs directly after riding your vehicle.

Different countries have different laws governing riding on public roads. It is the driver's responsibility to be aware of and conform with these laws.

The PRIDE importer is not liable for tickets or violations given to drivers who do not follow these regulations.



- Always wear a helmet that meets CE safety standards. In the case of an accident, a helmet can protect you from serious injury and in some cases, even from death.
- Obey all local traffic laws. Obey red and green lights, one-way streets, stop signs, pedestrian crosswalks, etc.
- Ride according to the traffic flow, not against it.
- Ride cautiously.
- Give pedestrians the right-of-way.
- Do not ride too close to pedestrians and do not pass them from behind.
- Slow down at all street intersections, while checking left and right before crossing them.
- Obey all traffic signals.
- Always use the proper turn signals for turning or stopping your vehicle. After using the turn signals, always return both hands to the handlebar before stopping or turning.
- Pay attention to other vehicles pulling out from parking areas and for sudden opening of car doors.
- Avoid potholes, drainage grates and other road surface cracking.
- Never hitch your vehicle onto other vehicles.
- Avoid overtaking.

### **WARNING**

Proper use of your brakes is vital to ensure safe and efficient stopping of your vehicle. To avoid misuse and potential injury, do not apply sudden or excessive force to your brakes. Pull the brake levers gradually and give enough time for a safe complete stop.

- Do not swerve from side to side while driving.
- An accident may cause additional stress on PRIDE components, affecting them to fatigue early. Components suffering from stress fatigue can fail easily, causing loss of control or even severe injury. For this reason, always perform the pre-operation inspection and follow the maintenance instructions of the components.

## CAUTION: RIDING IN A WET WEATHER

Brakes do not have the same performance under wet conditions as they do in dry conditions. It is recommended that you do not ride your PRIDE in rainy weather, as there are electronic components integrated into your vehicle that may be damaged if exposed to water.

If you are riding your vehicle in low-visibility conditions, make sure that the headlight is turned on and that you are wearing bright, colored clothes.

Always drive safely. Below you will find some general guidelines for safe riding.

## SAFETY CHECKLIST

- Always perform the pre-operation inspection before every ride, making sure brakes are operating effectively and every switch is in good working condition.
- Always keep both hands firmly on the handlebar.
- Do not ride with a passenger.
- Avoid riding in large groups, as this can lead you to riding too close to other drivers, making it difficult to see other vehicles and road defects.
- Before riding your vehicle, make sure that you are familiar with all the functions and features of your PRIDE.

### WARNING

When you drive in low-visibility conditions such as fog, dusk or night, turn the headlight on and wear bright-colored clothes.

- Do not hang any load on the handlebars. Extra load should be placed on the step floor or the top box.
- Never drive under the influence of alcohol or other medication. It dramatically decreases your driving ability and can be incredibly dangerous.

- When driving downhill, decrease your speed.
- Do not use your PRIDE incorrectly.

Always be careful to avoid and anticipate any possible obstacle.

## **WARNING**

There may be additional risk of injury if you use your vehicle incorrectly. For example:

- Bouncing your vehicle.
- Driving over debris or obstacles
- Performing bike stunts
- Riding in off-road terrain
- Racing with other vehicles
- Driving in an unusual manner

The above use adds stress to each part of your vehicle and can lead to long term damage. Damage to your vehicle can lead to an accident or increase your risk of injury.

Be careful when you encounter road obstacles. If you are driving fast, even a small obstacle can create a significant impact on both you and your vehicle. If you are unsure about your ability to safely ride over an obstacle, it is best to either ride around it, or stop your vehicle, dismount, and walk your vehicle around the obstacle.

The natural tendency of drivers is to move where they are looking. Avoid focusing on obstacles, even when you are trying to avoid them. Instead, focus on the part of the road where you want to go.

## **OPERATING CONDITIONS**

FAILURE TO FOLLOW ANY OF THE BELOW SAFETY PRECAUTIONS MAY LEAD DAMAGING YOUR VEHICLE, VOID YOUR MANUFACTURER WARRANTY OR CAUSE SERIOUS BODY INJURY THAT MAY EVEN EVENT IN DEATH.

## OPERATING YOUR VEHICLE

Make sure that the battery is fully charged before the first use.

The vehicle is equipped with a built-in **650-Watt** Brushless Motor, that allows you to accelerate up to **25km/h** and decelerate.

Turn the main switch to the ON position to activate the motor. Use the handlebar to turn in the direction you wish to turn. Prepare to brace yourself if you encounter bumps or uneven surfaces, then dismount and roll your vehicle to a safe operating surface.

## WEIGHT AND SPEED LIMITATIONS

Speed and weight limits are set for your safety. Please do not exceed the limits as mentioned below:

- Maximum load: **130 kg**.
- Maximum Speed: **25 km/h**.

### **WARNING**

Overload may increase possibility of injury or vehicle damage.

## OPERATING RANGE

The vehicle can travel a distance up to **40 km** on a fully charged battery in ideal conditions. The following are some of the major factors that will affect the operating range of your battery.

- **Terrain:** Riding distance is highest when riding on a smooth, flat surface. Riding uphill and/or on rough terrain will reduce distance significantly.
- **Weight:** A lighter user will result in a longer range than a heavier user.
- **Ambient temperature:** Please ride and store the battery under recommended temperatures, which will increase driving distance; battery life, and overall performance of your battery.
- **Speed and Riding Style:** Maintaining a moderate and consistent speed while riding produces maximum distance. Travelling at high speeds for an extended period, frequent starts and stops, idling and frequent acceleration or deceleration will decrease overall range.

## WARNING

Any scooter that does not work properly can cause you to lose control and fall. Inspect the entire scooter thoroughly before every ride, and do not ride it until any problems have been corrected.

## WARNING

Do not turn sharply or at high speeds to avoid danger. Do not turn or ride quickly along slopes as it may cause injury.

## CARE & MAINTENANCE

- Do not expose the battery to liquid, moisture, or humidity to avoid damage to the product's internal circuitry.
- Do not use abrasive cleaning solvents to clean the battery.
- Do not expose the battery to extremely high or low temperatures as this will shorten the life of the battery, destroy the battery, and/or distort certain plastic parts.
- Do not dispose of the battery in fire as it may explode or combust.
- Do not expose the battery to contact with sharp objects as this will cause scratches and damage.
- Do not let the battery fall from high places, as it may damage the internal circuitry.
- Do not attempt to disassemble the battery.
- Use only the charger provided with the PRIDE.

## WARNING

Avoid using water or other liquids for cleaning. If water or other liquids enter the scooter, it will cause permanent damage to the internal components.

# PRIDE DIAGRAM



## FEATURES/PARTS

1. Mirror
2. Headlight
3. Front Brake Lever
4. Turn Signal
5. Tire
6. Disc brake
7. Dashboard
8. Throttle
9. Seat
10. Charging Port
11. Top box
12. VIN (Vehicle Identification Number)

# HANDLEBAR DIAGRAM



- |                              |                             |
|------------------------------|-----------------------------|
| 1. Rear Brake lever          | 7. Turn Signal Switch       |
| 2. Parking Brake             | 8. Horn                     |
| 3. Low Beam/High Beam Switch | 9. Ignition                 |
| 4. Dashboard                 | 10. Light Switch            |
| 5. Forward / Reverse Switch  | 11. Speed Adjustment Button |
| 6. Front Brake lever         | 12. Throttle                |

## SPECIFICATIONS\*

Model:	PRIDE
Max. Load:	130 kg
Max Speed:	25 km/h
Max Distance Range:	40 km
Max incline Angle:	8°
Brake Type:	Front Disk Brake and Rear Drum Brake
Shock Absorption:	Front: Frame Suspension Fork, Rear: Two Heavy-Duty Shock Absorbers
Seat Height:	720 mm
Tire Size:	3.00-10"
Motor:	650 W
Charge Time:	5-7 hours
Battery Type:	Lithium /Lead acid 60V 20Ah
Battery Voltage:	60 V
Battery Capacity:	20 A
Power Requirement:	AC 100-240V,50-60Hz
Dimensions (LxWxH):	1860x720x1050

NOTE: Max speed and max distance may vary depending on many factors, including outside temperature; rider weight and freight; age and condition of the battery(s); tire pressure; state of maintenance of the vehicle etc.

\* Specifications may change without prior notice.

# IGNITION

## 1. TURNING ON VEHICLE

Turn the key clockwise to "START" position and to activate the vehicle motor.

## 2. TURNING OFF VEHICLE

To turn the vehicle off, turn the key to "OFF" position.

## 3. OPEN SEAT

Turn the key to "OPEN" position, to unlock seat cover and open.

## 4. LOCK

Push key in and turn the key to "LOCK" position to lock vehicle.



# CONTROLS & DISPLAY

## 1. SPEEDOMETER

Displays current speed in kph.

## 2. TURN SIGNAL

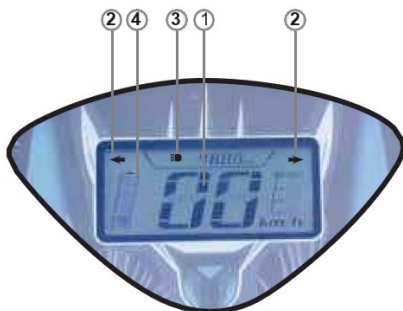
Indicates left or right turning signal.

## 3. LIGHT INDICATOR

Indicates if headlights are on/off.

## 4. BATTERY LEVEL INDICATOR

Displays your remaining battery power (in %).



# REMOTE

## 1. LOCK

Press once to activate the alarm.

## 2. UNLOCK

Press once to disarm alarm.

## 3. ALARM

Press once to sound the alarm.

## 4. REMOTE START

Press twice to remotely start vehicle. This will work within a 5-metre range of your vehicle.





## SEAT COMPARTMENT

Your PRIDE comes with a seat compartment for extra storage and to house your battery.

To access the seat compartment simply put the key in the ignition and turn it to “OPEN” position.

In the storage area, you will find the:

1. Main Circuit Breaker
2. Battery Compartment



## ATTACHING REAR-VIEW MIRRORS

Remove the mirrors from the box.

1. Assembly the rear-view mirrors by screwing the mirrors with the rubber grommets shown below.



## CHARGING YOUR PRIDE

- Locate the charging port underneath the front end of the seat.



- Lift the charging port flap to reveal the charging port.



# RIDING YOUR PRIDE

After reviewing the pre-ride checklist, follow the steps below to begin riding your PRIDE.

1. Ensure parking brake is off. The Parking Brake is located on the left-hand brake. The tab holds tension in the brake lines to keep the unit stationary when not in use.

Activate your parking brake by pressing this tab towards the brake handle while squeezing the left-hand brake. The tab will click inwards.

To deactivate your parking brake, squeeze the left-hand brake lever to release the Parking Brake tab.



2. Insert the key into the ignition and turn clockwise to the "ON" position to turn on your PRIDE.

3. The Meter Display will turn on.

4. Set your max speed using the three-position speed-switch.

"I"- max speed: 12 km/h.

"II"- max speed: 20 km/h.

"III"- max speed: 25 km/h.



5. Turn the throttle slowly. The PRIDE will begin to move forward.



6. When the PRIDE begins to move forward, put your feet in front of you on the footrest. Your speed will be determined by the turn of the throttle and your speed level setting.



7. To stop your PRIDE, release the throttle and press your front & rear brake levers slowly until you reach a complete stop.



\*Do not attempt to stop suddenly as this may lead to injury or damage to your brake discs.

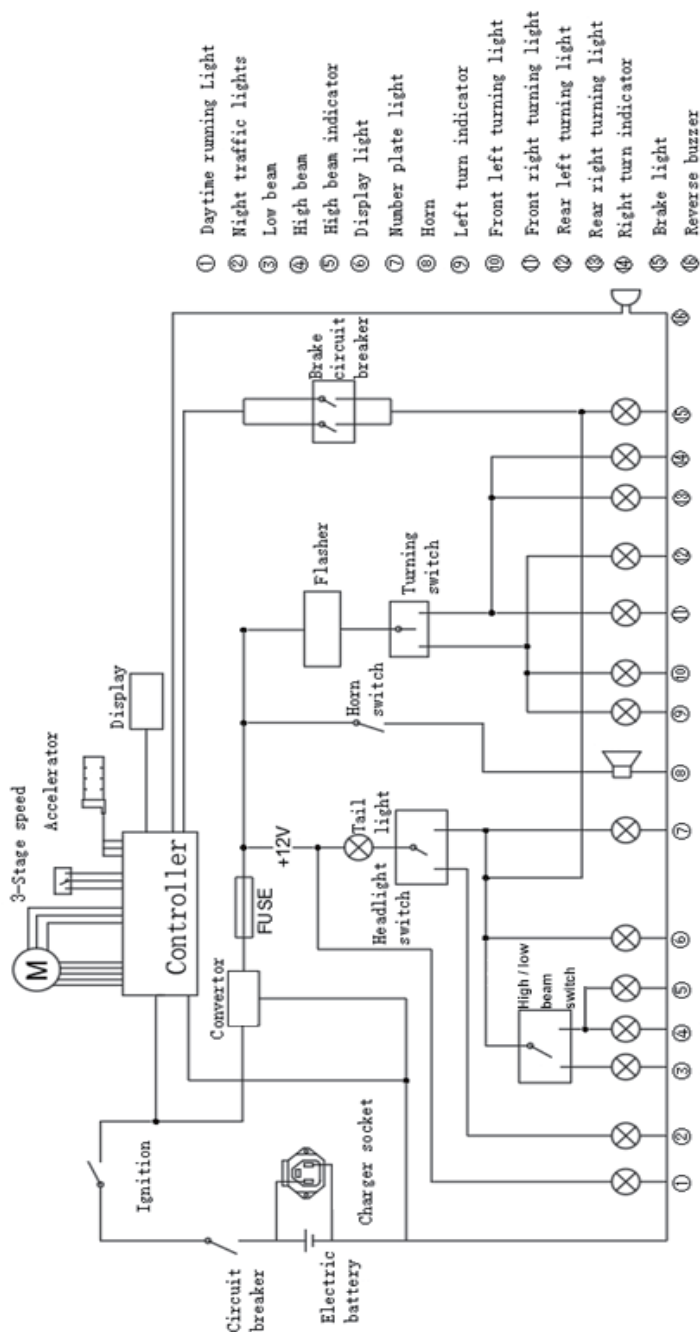
## **WARNING**

Proper use of your brake is vital to ensure safe and efficient stopping. To avoid misuse and potential injury, do not apply sudden or excessive force to your brakes. Apply the brake gradually and give yourself enough room to come to a complete stop safely.

Please follow all laws related to recycling, handling and disposing of lithium batteries.

Lithium batteries are considered hazardous materials. Please follow all laws regarding recycling, handling and disposing of lithium batteries.

# WIRING DIAGRAM



## WARRANTY

For warranty information, please visit your Local agent.

## VEHICLE IDENTIFICATION

You can write your scooter's identification numbers here:

**Vehicle identification number (VIN)**

## NOTES

For details, updates or other technical information you may visit [www.nipponia.nl](http://www.nipponia.nl) .

.....

.....

.....

.....

.....

.....

.....

.....

.....

.....

## DESIGN

PRIDE is designed to be easily controlled, providing a safe, stable form of travel. The built-in rechargeable battery allows you to power up whenever you travel. The ultra bright LED headlight and brake lights provide safety as you explore your surroundings. PRIDE requires 7 hours of charging for a full charge.

## PERFORMANCE

PRIDE is a modern electric scooter equipped with a powerful motor, responsive brakes, making it easier and safer to control, allowing you to travel up to 40 km at up to 25 km/h.



- TRAVEL UP TO 40 km.
- MAXIMUM SPEED UP TO 25 km/h.
- SUPPORTS UP TO 130 kg.
- FULLY CHARGES IN 5 - 7 HOURS